

# T ECHNICAL INFORMATION



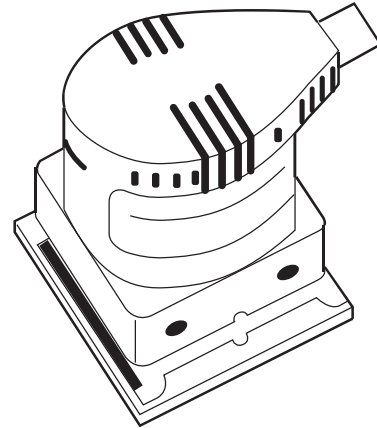
New Tool

**Models No.** ▶ BO4510

**Description** ▶ Makita Finishing sander

## CONCEPT AND MAIN APPLICATIONS

The purpose of the development was to produce a small and light sander which can be operated with one hand and is easy and safe to use.



### ▶ Specifications

Voltage(V)	Current(A)	Frequency(Hz)	Consumed power(W)
100 volt and higher			

No load speed (R.P.M.)	1200/min
Net Weight (kg)	1 Kg
Power supply cord (m)	2.5m
Pad dimension (mm)	100mm x 114mm
Paper dimension	114mm x 140mm
Sander dimension	115 mm in total length x 100 mm in width x 126 mm in total height

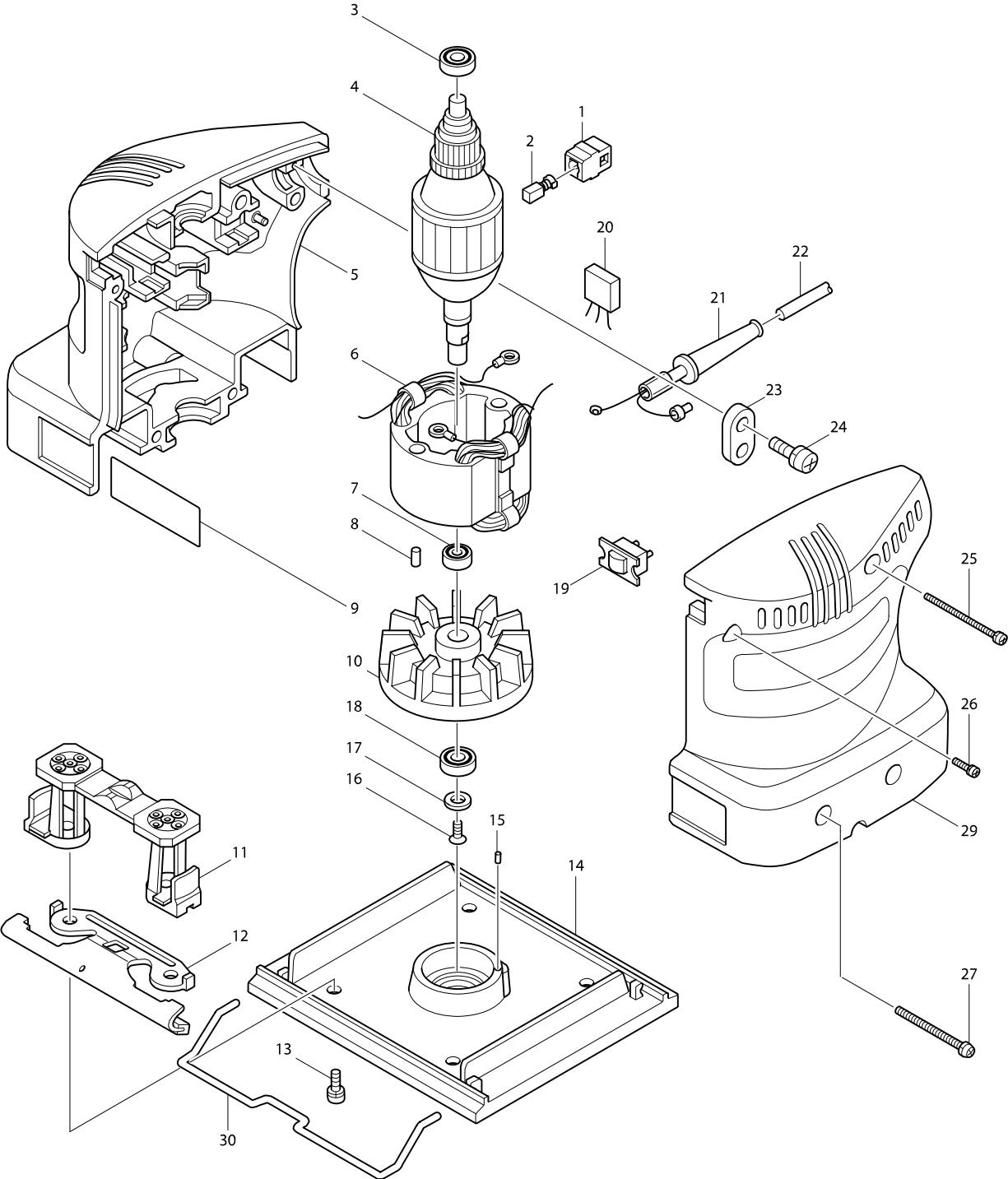
### ▶ Standard equipment

Sand paper #60, #100, & #150 (two each)

### ▶ Optional accessories

Sand paper #60, #100, & #150 (10 each) (Standard size sand paper available in the market (228 x 280 mm) can be used by cutting it into four parts.)

**Model No. BO4510 FINISHING SANDER**



Item	Parts No.	Description	I/C	QTY	N/O	Opt. 1	Opt. 2	NOTE
001	643552-4	BRUSH HOLDER 5-8		2				
002B_A	191627-8	CARBON BRUSH CB-64		1	*			
002B_B	191627-8	CARBON BRUSH CB-64		1	*			
002B_Z	191627-8	CARBON BRUSH CB-64		1	*			
002B1A	194968-1	CARBON BRUSH SET CB-64	<	1				
002B1B	194968-1	CARBON BRUSH SET CB-64	<	1				
002B1Z	194968-1	CARBON BRUSH SET CB-64	<	1				
003A	211026-9	BALL BEARING 627LLB		1	*			
003B	211026-9	BALL BEARING 627LLB		1	*			
003-1A	210025-8	BALL BEARING 627LLB	O	1				
003-1B	210025-8	BALL BEARING 627LLB	O	1				
003-1Z	210025-8	BALL BEARING 627LLB		1				
004A_A	515121-0	ARMATURE ASS'Y 115V		1	*			
D11		INC. 3,7			*			
004A1A	510079-8	ARMATURE ASS'Y 115V	O	1	*			
D11		INC. 3,7			*			
004A2A	510079-8	ARMATURE ASS'Y 115V	O	1	*			
D11		INC. 3,7			*			
004A3A	515121-0	ARMATURE ASS'Y 115V	O	1				
D11		INC. 3,7						
004C_B	515123-6	ARMATURE ASS'Y 220V		1	*			
D11		INC. 3,7			*			
004C1B	510081-1	ARMATURE ASS'Y 220V	O	1	*			
D11		INC. 3,7			*			
004C2B	510081-1	ARMATURE ASS'Y 220V	O	1	*			
D11		INC. 3,7			*			
004C2Z	510081-1	ARMATURE ASS'Y 220V		1	*			
D11		INC. 3,7			*			
004C3B	515123-6	ARMATURE ASS'Y 220V	O	1				
D11		INC. 3,7						
004C3Z	515123-6	ARMATURE ASS'Y 220V	O	1	*			
D11		INC. 3,7			*			
004C4Z	515124-4	ARMATURE ASS'Y 240V	<	1				
D11		INC. 3,7						
005-1	181830-9	HOUSING SET		1				
D10		INC. 8,29						
006A_A	525106-8	FIELD ASS'Y 115V		1				
C10	654038-3	INSULATED TERMINAL FT1.25-M4		2	*			
C11	654038-3	INSULATED TERMINAL FT1.25-M4	O	2	*			
C12	654038-3	INSULATED TERMINAL FT1.25-M4	O	2	*			
C13	654038-3	INSULATED TERMINAL FT1.25-M4	O	2				
006C_B	525108-4	FIELD ASS'Y 220V		1				
C10	654038-3	INSULATED TERMINAL FT1.25-M4		2	*			
C11	654038-3	INSULATED TERMINAL FT1.25-M4	O	2	*			
C12	654038-3	INSULATED TERMINAL FT1.25-M4	O	2	*			
C13	654038-3	INSULATED TERMINAL FT1.25-M4	O	2				
006C_Z	525108-4	FIELD ASS'Y 220V		1	*			
C11	654038-3	INSULATED TERMINAL FT1.25-M4		2	*			

**Model No. BO4510 FINISHING SANDER**

Item	Parts No.	Description	I/C	QTY	N/O	Opt. 1	Opt. 2	NOTE
C12	654038-3	INSULATED TERMINAL FT1.25-M4	O	2	*			
C13	654038-3	INSULATED TERMINAL FT1.25-M4	O	2	*			
006C1Z	525109-2	FIELD ASS'Y 240V	<	1				
C13	654038-3	INSULATED TERMINAL FT1.25-M4	O	2				
007-1A	211092-6	BALL BEARING 629DDW		1	*			
007-1B	211092-6	BALL BEARING 629DDW		1	*			
007-2A	210078-7	BALL BEARING 629DDW	O	1	*			
007-2B	210078-7	BALL BEARING 629DDW	O	1	*			
007-3A	211092-6	BALL BEARING 629DDW	O	1				
007-3B	211092-6	BALL BEARING 629DDW	O	1				
007-3Z	211092-6	BALL BEARING 629DDW		1				
008	263002-9	RUBBER PIN 4		1				
009A	815215-4	NAME PLATE BO4510		1				
009B	815215-4	NAME PLATE BO4510		1				
009Z	815215-4	NAME PLATE BO4510		1	*			
009-1Z	815215-4	NAME PLATE BO4510	O	1				
010-1	241652-0	FAN 65		1				
011-1	410918-1	FOOT		2				
012-3	155957-1	CLAMPER		2				
C10	413039-8	CLAMPER COVER		2				
013	911118-1	PAN HEAD SCREW M4X12		4				
014-2A	151232-3	BASE COMPLETE		1	*			
C10	443046-7	FELT 100X110		1	*			
D10		INC. 15			*			
014-2B	151232-3	BASE COMPLETE		1	*			
C10	443046-7	FELT 100X110		1	*			
D10		INC. 15			*			
014-3A	151232-3	BASE COMPLETE	O	1				
C10	443046-7	FELT 100X110		1				
014-3B	151232-3	BASE COMPLETE	O	1				
C10	443046-7	FELT 100X110		1				
014-3Z	151232-3	BASE COMPLETE		1				
C10	443046-7	FELT 100X110		1				
015A	263002-9	RUBBER PIN 4		1	*			
015B	263002-9	RUBBER PIN 4		1	*			
016	912112-6	COUNTERSUNK HEAD SCREW M4X10		1				
017	253825-3	FLAT WASHER 6		1				
018-1	211066-7	BALL BEARING 6200LLB		1				
019A_	651600-5	SWITCH SS106A		1				
021A_	682502-4	CORD GUARD 8-85		1				
022Z	697550-0	POWER SUPPLY CORD 1.0-2-2.5		1	*			
022-1Z	697R50-8	POWER SUPPLY CORD 1.0-2-2.5	<	1	*			
022-2Z	692021-2	POWER SUPPLY CORD 1.0-2-2.5	<	1				
022J_A	664013-1	POWER SUPPLY CORD AWG#18-2-2.8		1				
022L2B	666066-6	POWER SUPPLY CORD 1.0-2-2.5		1				
023	687001-1	STRAIN RELIEF		1				
024-1	911133-5	PAN HEAD SCREW M4X18		2				
025	911188-0	PAN HEAD SCREW M4X60		1				

