

TECHNICAL INFORMATION

Model No. ▶ DSS610

Description ▶ Cordless Circular Saw 165mm (6-1/2")

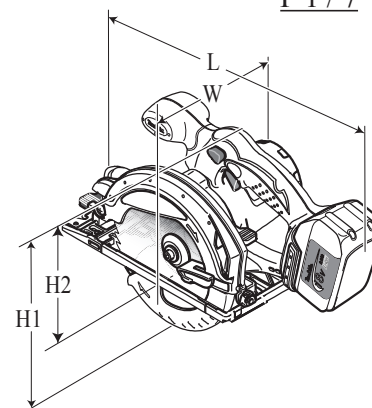
CONCEPT AND MAIN APPLICATIONS

Model DSS610 is a Cordless Circular Saw 165mm (6-1/2") powered by 18V Li-ion battery BL1815N (1.5Ah), BL1820 (2.0Ah), BL1830 (3.0Ah), BL1840 (4.0Ah) or BL1850 (5.0Ah).

Its main features are exactly same as model BSS610 as follows:

- Powerful 360W maximum output, yet still with the extra-lightweight and compact design achieved by using Lithium-ion battery as power unit
- Smooth and powerful cutting at the high rotational speed of 3,700 rpm delivered from enhanced motor
- Easy to trace cutting line with:
 - a) LED job light
 - b) Built-in blow-off nozzle that directs sawdust away from cutting line

Note: This product is not compatible with 1.3Ah battery BL1815.



Dimensions: mm (")	
Length (L)	347 (13-5/8)*1
Width (W)	202 (8)
Height 1 (H1)	228 (9)
Height 2 (H2)	166 (6-1/2)

*1 With BL1830/BL1840/BL1850

Specification

Battery	Voltage: V		18
	Cell		Li-ion
	Capacity: Ah		1.5, 2.0, 3.0, 4.0, 5.0
	Energy capacity: Wh		27, 36, 54, 72, 90
	Charging time: min		15, 24, 22, 36, 45 with DC18RC
Max output (W)			360
No load speed: min ⁻¹ =rpm			3,700
Size of blade: mm (")	Diameter		165 (6-1/2)
	Hole diameter	Canada, Mexico, Panama	15.88 (5/8)
		The others	20 (13/16)
Max cutting capacities: mm (")	at 0°		57 (2-1/4)
	at 45°		40 (1-9/16)
	at 50°		36 (1-7/16)
Electric brake			Yes
Weight according to EPTA Procedure 01/2003: kg (lbs)			3.2 (7.1)*1

Standard equipment

- TCT Saw blade 165mm (6-1/2")
- Hex wrench 5
- Guide rule
- Plastic carrying case/ Connector plastic case (type 3)*2
- Battery*2
- Battery cover*3
- Charger*2

*2 Battery, Charger and Plastic carrying case/Connector plastic case (type 3) are not supplied with "Z" model.

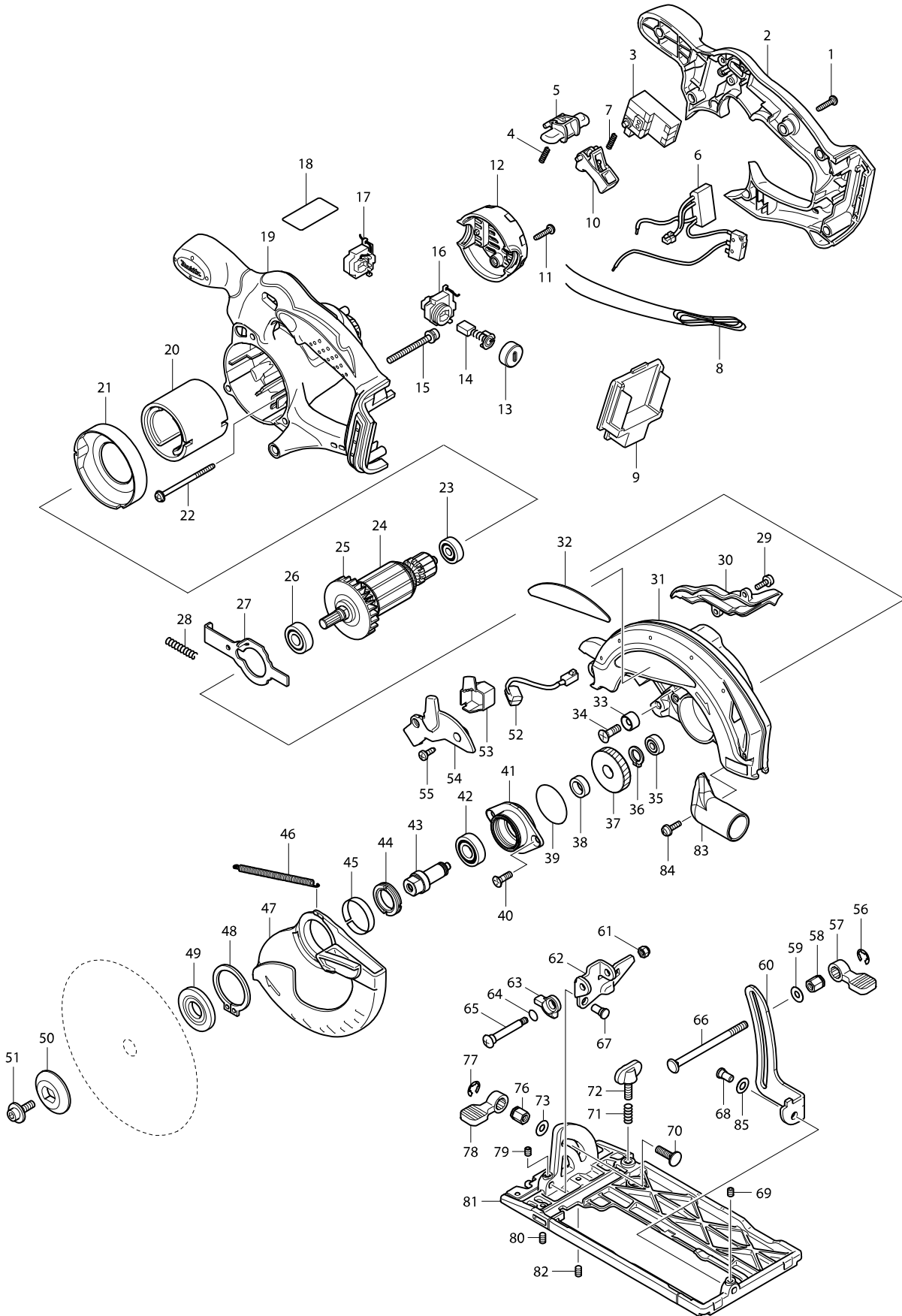
*3 Supplied with the same quantity of extra Battery

Note: The standard equipment may vary by country or model variation.

Optional accessories

- | | | |
|------------------------------|---------------------|------------------------------------|
| TCT Saw blade 165mm (6-1/2") | Battery BL1840 | Automotive charger DC18SE |
| Dust nozzle | Battery BL1850 | Four port multi charger DC18SF |
| Battery BL1815N | Fast charger DC18RC | Two port multi fast charger DC18RD |
| Battery BL1820 | Charger DC18SC | |
| Battery BL1830 | Charger DC24SC | |

Model No. DSS610 CORDLESS CIRCULAR SAW 165MM



Model No. DSS610 CORDLESS CIRCULAR SAW 165MM

Item	Parts No.	Description	I/C	QTY	N/O	Opt. 1	Opt. 2	NOTE
001	265995-6	TAPPING SCREW 4X18		6				
002	141470-5	HANDLE COVER COMPLETE		1				
003	650631-1	SWITCH		1				
004	231469-9	COMPRESSION SPRING 4		1				
005	419322-1	LOCK OFF LEVER		1				
006	620088-0	POWER SUPPLY CIRCUIT		1				
007	231469-9	COMPRESSION SPRING 4		1				
009	644808-8	TERMINAL		1				
010	419176-6	SWITCH LEVER		1				
011	265995-6	TAPPING SCREW 4X18		2				
012	419281-9	REAR COVER		1				
013	643941-3	BRUSH HOLDER CAP		2				
014	194435-6	CARBON BRUSH CB-441		1	*			
014-1	195022-4	CARBON BRUSH SET CB-441	<	1				
015	911263-2	PAN HEAD SCREW M5X40		3				
016	643895-4	BRUSH HOLDER		1				
017	643896-2	BRUSH HOLDER		1				
018	815E89-3	DSS610 NAME PLATE		1				
019	141471-3	MOTOR HOUSING COMPLETE		1				
020	638107-8	YOKE UNIT		1				
021	419285-1	BAFFLE PLATE		1				
022	266292-3	TAPPING SCREW 4X65		2				
023	210023-2	BALL BEARING 627DDW		1				
024	519173-3	ARMATURE ASS'Y 18V		1				
D10		INC. 23,25,26						
025	241869-5	FAN 55		1				
026	211061-7	BALL BEARING 6000LLB		1				
027	346059-6	SHAFT LOCK		1				
028	233092-6	COMPRESSION SPRING 5		1				
029	911118-1	PAN HEAD SCREW M4X12		2				
030	419284-3	BLOWER NOZZLE		1				
031	188045-9	BLADE CASE SET		1				
C10	213434-0	O RING 26		1				
D10		INC. 32						
032	819217-2	MAKITA LOGO PLATE		1				
033	262049-0	RUBBER RING 6		1				
034	251368-9	+ COUNTERSUNK SCREW M6		1				
035	210028-2	BALL BEARING 606ZZ		1				
036	961052-5	RETAINING RING S-12		1				
037	227156-6	SPUR GEAR 52		1				
038	257173-2	RING 12		1				
039	213512-6	O RING 39		1				
040	265034-2	+ COUNTERSUNK HEAD SCREW M5X		2				
041	318009-1	BEARING BOX		1				
042	211131-2	BALL BEARING 6001DDW		1				
043	324626-7	SPINDLE		1				
044	285845-9	BEARING RETAINER 19-29		1				
045	345469-4	THICKNESS RING		1				

Item	Parts No.	Description	I/C	QTY	N/O	Opt. 1	Opt. 2	NOTE
046	231821-1	TENSION SPRING 3		1				
047	419286-9	SAFETY COVER		1				
048	961152-1	RETAINING RING (EXT) S-34		1				
049	224397-5	INNER FLANGE 40		1				
050	224282-2	OUTER FLANGE 40		1				
051	266133-3	HEX. SOCKET HEAD BOLT M6X20		1				
052	631694-6	LED CIRCUIT		1				
053	419341-7	CONNECTOR BOX		1				
054	419282-7	LIGHT COVER		1				
055	266026-4	TAPPING SCREW BIND CT 4X12		2				
056	961014-3	STOP RING E-8		1				
057	272229-0	LEVER 40		1				
058	252158-3	HEX.NUT M6		1				
059	941151-9	FLAT WASHER 6		1				
060	345658-1	DEPTH GUIDE		1				
061	252103-8	HEX. LOCK NUT M5-8		1				
062	345657-3	ANGULAR GUIDE		1				
063	317986-4	STOPPER		1				
064	213062-1	O RING 9		1				
065	265084-7	+ TRUSS HEAD SCREW M5		1				
066	266194-3	FLAT HEAD SCREW M6X90		1				
067	256480-0	SHOULDER PIN 6-7		1				
068	256480-0	SHOULDER PIN 6-7		1				
069	266264-8	H.S.SET SCREW(FLAT POINT)M5X6		1				
070	251919-8	CAP SQUARE NECK BOLT M6X20		1				
071	231007-7	COMPRESSION SPRING 6		1				
072	251896-4	SCREW M5X20		1				
073	941151-9	FLAT WASHER 6		1				
076	252133-9	HEX. NUT M6		1				
077	961014-3	STOP RING E-8		1				
078	272251-7	LEVER 30		1				
079	266264-8	H.S.SET SCREW(FLAT POINT)M5X6		1				
080	266229-0	H.S.SET SCREW(CUP POINT)M5X8		1				
081	154832-8	BASE COMPLETE		1				
C10	816851-9	SCALE PLATE		1				
082	266229-0	H.S.SET SCREW(CUP POINT)M5X8		1				
083	419283-5	DUST NOZZLE		1				
084	911118-1	PAN HEAD SCREW M4X12		1				
085	253186-1	FLAT WASHER 7		1				
A01	164095-8	GUIDE RULE		1				
A02	783203-8	HEX. WRENCH 5		1				
A03	A-85101	T.C.T.SAW BLADE 165X24TX20		1				
A04X	141353-9	PLASTIC CARRYING CASE COMPLETE		1				
C10	163455-1	LATCH		2				
C20	419360-3	HANDLE		1				
A05X	***DC18RC	DC18RC FAST CHARGER		1				
A06X	196015-4	BATTERY BL1830 SET		2	*			
A06-1X	196015-4	BATTERY BL1830 SET	O	2	*			

