

# TECHNICAL INFORMATION



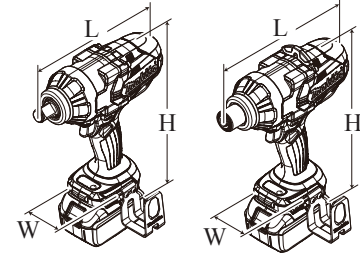
PRODUCT

P 1 / 18

November 2015

**Model No.** ▶ DTW1001, DTW1002, DTW800

**Description** ▶ Cordless Impact Wrench



DTW1001/ DTW1002      DTW800

## CONCEPT AND MAIN APPLICATIONS

Models DTW1001/ DTW1002/ DTW800 are Cordless impact wrenches powered by 18V Li-ion battery.

The main features and benefits are:

- Compact and lightweight design thanks to Brushless motor
- High power equivalent to AC model TW1000
- Electronic 3 stage impact power selection

| Dimensions: mm ( " ) |                     |                                |
|----------------------|---------------------|--------------------------------|
| Length (L)           | 229 (9)             |                                |
| Width (W)            | 91 (3-5/8)          |                                |
| Height (H)           | DTW1001,<br>DTW1002 | 272 (10-3/4)*1/ 289 (11-3/8)*2 |
|                      | DTW800              | 286 (11-1/4)*1/ 303 (11-7/8)*2 |

\*1 With battery BL1815N; BL1820, BL1820B

\*2 With battery BL1830; BL1840, BL1840B;  
BL1850, BL1850B

## ► Specification

| Specification  |                             | Model | DTW1001                               | DTW1002                    | DTW800                     |
|--|-----------------------------|-------|---------------------------------------|----------------------------|----------------------------|
| Battery  | Voltage: V                  |       | 18                                    |                            |                            |
|  | Capacity: Ah                |       | 1.5, 2.0, 3.0, 4.0, 5.0               |                            |                            |
|  | Energy capacity: Wh         |       | 27, 36, 54, 72, 90                    |                            |                            |
|  | Cell                        |       | Li-ion                                |                            |                            |
|  | Charging time (approx): min |       | 15, 24, 22, 36, 45 with DC18RC        |                            |                            |
| Max output power (W)                                 |                             |       | 500                                   |                            |                            |
| Driving shank: mm (")                                |                             |       | 19 (3/4)<br>Square drive              | 12.7 (1/2)<br>Square drive | 11.1 (7/16)<br>Hex         |
| Impact power selection                               |                             |       | Electric 3 stage (Hard/ Medium/ Soft) |                            |                            |
| Impacts per minute: min <sup>-1</sup> = ipm          | Hard                        |       | 0-2,200                               |                            |                            |
|  | Medium                      |       | 0-2,000                               |                            |                            |
|  | Soft                        |       | 0-1,800                               |                            |                            |
| No load speed: min <sup>-1</sup> = rpm               | Hard                        |       | 0-1,800                               |                            |                            |
|  | Medium                      |       | 0-1,000                               |                            |                            |
|  | Soft                        |       | 0-900                                 |                            |                            |
| Max tightening torque: N·m (ft·lbs)                  |                             |       | 1,050 (780)*3                         | 1,000 (740)*3              | 800 (590)*4                |
| Nut-busting torque*5: N·m (ft·lbs)                   |                             |       | 1,700 (1,250)                         | 1,600 (1,180)              | N/A                        |
| Tightening torque in medium mode: N·m (ft·lbs)       |                             |       | 600 (440)*6                           |                            | 300 (220)*7                |
| Tightening torque in soft mode: N·m (ft·lbs)         |                             |       | 300 (220)*7                           |                            | 200 (150)*7                |
| Capacity: mm (")                                     | Standard bolt               |       | M12-M30 (1/2-1-1/4)                   |                            | M12-M24 (1/2-1)            |
|  | High strength bolt          |       | M10-M24 (3/8-1)                       |                            | M10-M22 (3/8-7/8)          |
| Electric brake                                       |                             |       | Yes                                   |                            |                            |
| Variable speed control by trigger                    |                             |       | Yes                                   |                            |                            |
| Reverse switch                                       |                             |       | Yes                                   |                            |                            |
| LED job light  |                             |       | Yes                                   |                            |                            |
| Weight according to EPTA-Procedure 01/2003: kg (lbs) |                             |       | 3.4 (7.6)*1<br>3.7 (8.1)*2            | 3.3 (7.3)*1<br>3.6 (7.9)*2 | 3.4 (7.6)*1<br>3.7 (8.1)*2 |

\*3 torque at 6 seconds after seating when tightening M27 (grade F10T) high strength bolt for friction joint

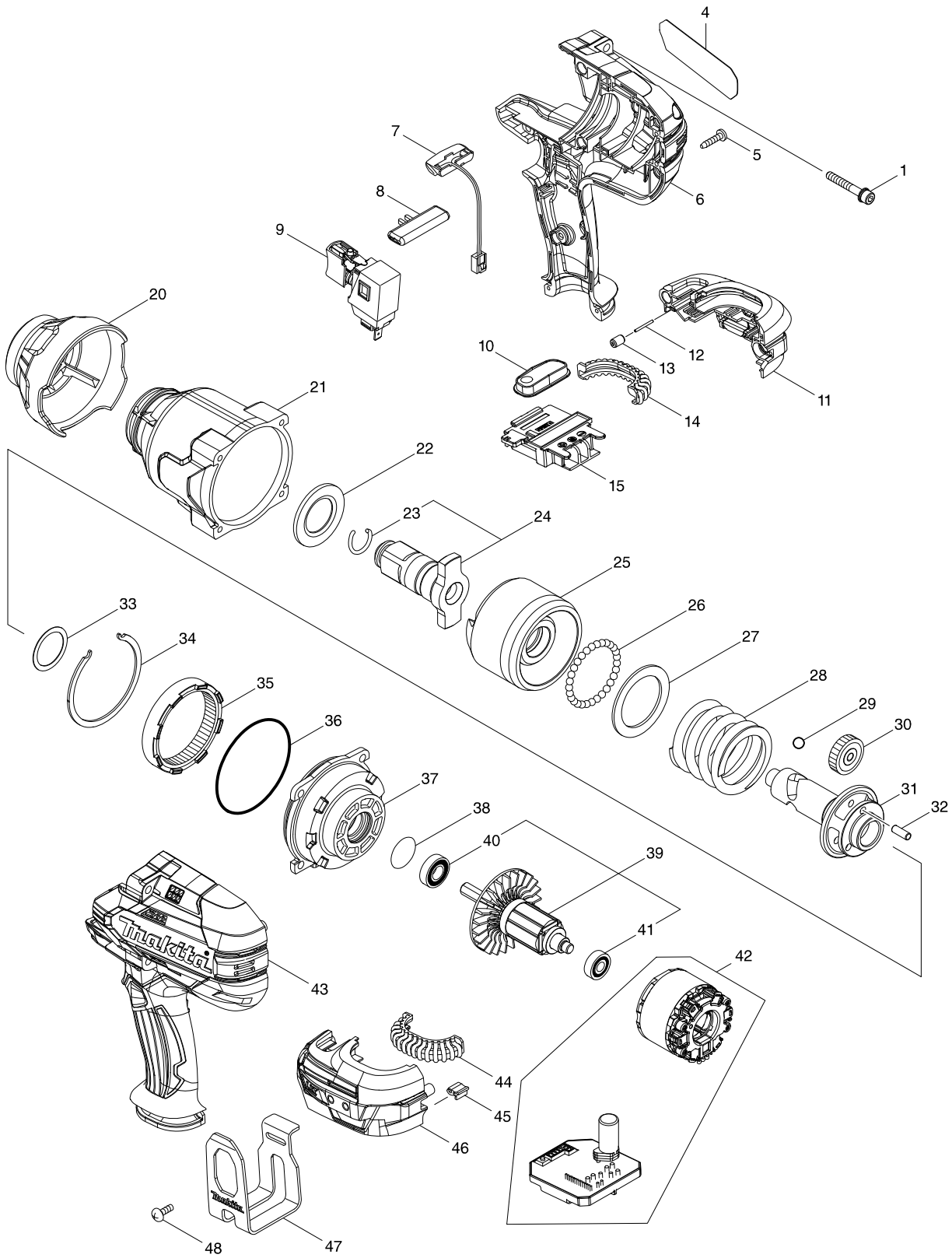
\*4 torque at 6 seconds after seating when tightening M24 (grade F10T) high strength bolt for friction joint

\*5 For example, if an impact wrench can loosen a bolt tightened to a torque of 1,700 N·m, "nut-busting" torque of the tool is 1,700 N·m. Be careful that the 1,700 N·m does not mean the actual tightening torque of DTW1001 in reverse rotation mode.

\*6 torque at 3 seconds after seating when tightening M22 (grade F10T) high strength bolt for friction joint

\*7 torque at 3 seconds after seating when tightening M16 (grade F10T) high strength bolt for friction joint

# Model No. DTW1001 CORDLESS IMPACT WRENCH



# Model No. DTW1001 CORDLESS IMPACT WRENCH

| Item  | Parts No. | Description              | I/C | QTY | N/O | Opt. 1 | Opt. 2 | NOTE |
|-------|-----------|--------------------------|-----|-----|-----|--------|--------|------|
| 001   | 251476-6  | H.S.H.BOLT M5X35 WITH WR |     | 4   |     |        |        |      |
| 004   | 851K74-8  | DTW1001 NAME PLATE       |     | 1   |     |        |        |      |
| 005   | 266326-2  | TAPPING SCREW 4X18       |     | 9   |     |        |        |      |
| 006   | 183C08-8  | HOUSING SET              |     | 1   |     |        |        |      |
| D10   |           | INC. 43                  |     |     |     |        |        |      |
| 007   | 620351-1  | LED CIRCUIT              |     | 1   |     |        |        |      |
| 008   | 456268-0  | F/R CHANGE LEVER         |     | 1   |     |        |        |      |
| 009   | 143416-7  | SWITCH COMPLETE          |     | 1   |     |        |        |      |
| 010   | 143417-5  | SWITCH PLATE COMPLETE    |     | 1   |     |        |        |      |
| 011   | 183C12-7  | BATTERY HOUSING SET      |     | 1   |     |        |        |      |
| C10   | 263005-3  | RUBBER PIN 6             |     | 2   |     |        |        |      |
| D10   |           | INC. 46                  |     |     |     |        |        |      |
| 012   | 268284-8  | PIN 1.5                  |     | 1   |     |        |        |      |
| 013   | 263036-2  | RUBBER PIN 5             |     | 1   |     |        |        |      |
| 014   | 424773-5  | CUSHION RUBBER           |     | 1   |     |        |        |      |
| 015   | 643899-6  | TERMINAL                 |     | 1   |     |        |        |      |
| 020   | 424775-1  | BUMPER                   |     | 1   |     |        |        |      |
| 021   | 143411-7  | HAMMER CASE COMPLETE     |     | 1   |     |        |        |      |
| 022   | 346948-5  | WASHER 25                |     | 1   |     |        |        |      |
| 023   | 231920-9  | RING SPRING 16           |     | 1   | *   |        |        |      |
| 023-1 | 232334-5  | RING SPRING 16           | <   | 1   |     |        |        |      |
| 024   | 135716-9  | ANVIL E ASS'Y            |     | 1   | *   |        |        |      |
| D10   |           | INC. 23                  |     |     | *   |        |        |      |
| 024-1 | 135803-4  | ANVIL E ASS'Y            | <   | 1   |     |        |        |      |
| D10   |           | INC. 23                  |     |     |     |        |        |      |
| 025   | 326612-4  | HAMMER                   |     | 1   |     |        |        |      |
| 026   | 216002-8  | STEEL BALL 4.8           |     | 29  |     |        |        |      |
| 027   | 267493-6  | FLAT WASHER 38           |     | 1   |     |        |        |      |
| 028   | 234383-8  | COMPRESSION SPRING 38    |     | 1   |     |        |        |      |
| 029   | 216009-4  | STEEL BALL 7.1           |     | 2   |     |        |        |      |
| 030   | 227391-6  | SPUR GEAR 24             |     | 3   |     |        |        |      |
| 031   | 326611-6  | SPINDLE                  |     | 1   |     |        |        |      |
| 032   | 268079-9  | PIN 5                    |     | 3   |     |        |        |      |
| 033   | 267494-4  | FLAT WASHER 25           |     | 1   |     |        |        |      |
| 034   | 346947-7  | RETAINER                 |     | 1   |     |        |        |      |
| 035   | 227392-4  | INTERNAL SPUR GEAR 54    |     | 1   |     |        |        |      |
| 036   | 213720-9  | O RING 67                |     | 1   |     |        |        |      |
| 037   | 135718-5  | INTERNAL GEAR CASE ASS'Y |     | 1   |     |        |        |      |
| D10   |           | INC. 36,38               |     |     |     |        |        |      |
| 038   | 213961-7  | O RING 22                |     | 1   |     |        |        |      |
| 039   | 519384-0  | ROTOR ASS'Y              |     | 1   |     |        |        |      |
| D10   |           | INC. 40,41               |     |     |     |        |        |      |
| 040   | 210069-8  | BALL BEARING 6900DDW     |     | 1   |     |        |        |      |
| 041   | 211022-7  | BALL BEARING 607ZZ       |     | 1   |     |        |        |      |
| 042   | 629170-2  | STATOR COMPLETE          |     | 1   |     |        |        |      |
| 043   | 183C08-8  | HOUSING SET              |     | 1   |     |        |        |      |
| D10   |           | INC. 6                   |     |     |     |        |        |      |
| 044   | 424773-5  | CUSHION RUBBER           |     | 1   |     |        |        |      |

